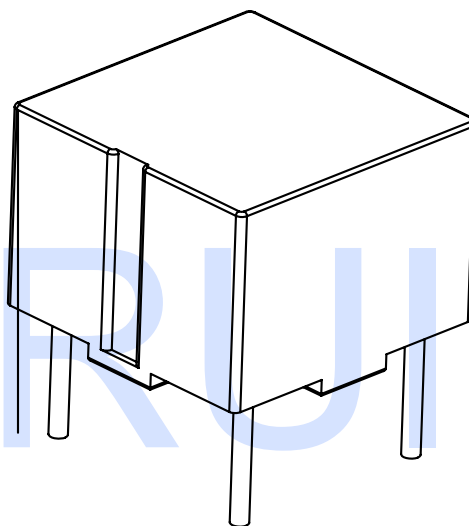
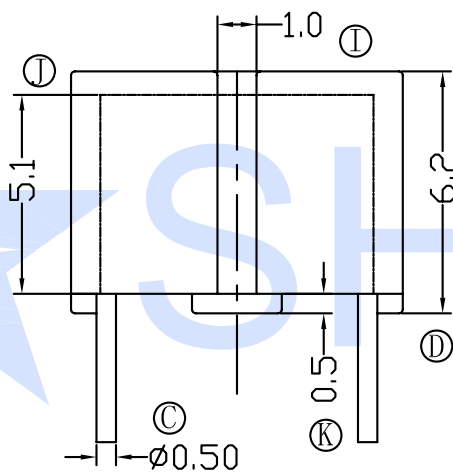
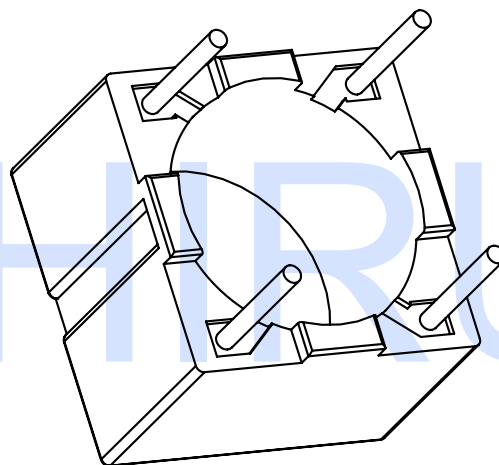
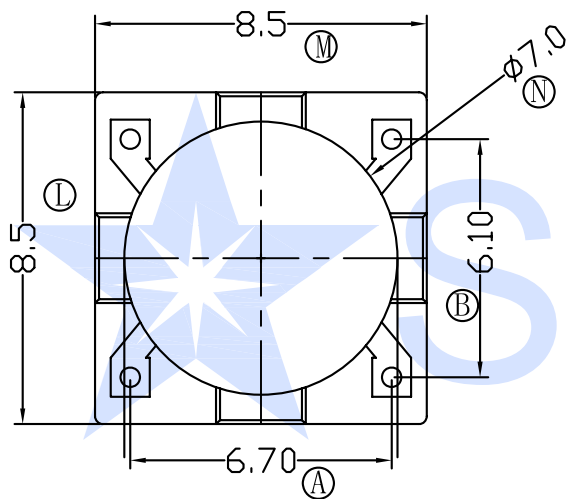


P/N
SR-CASE 001

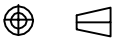


Hefei Shirui Electronic Technology Co.,Ltd

TEL:(0086) 55165232650

sales@shiruitech.com

www.shiruitech.com

| | | | | |
|-----------------------------------|--|-----------------------|-------|-----------|
| SR NO. SR-CASE 001 | MATERIAL: PHENOLIC | UNIT: mm TOLERANCE | DRN. | WILL H |
| MODEL NAME! CASE-(2+2P) | UL REC: UL 94V-0 | 0 L 4 ±0.10 | CHD. | IRINA LEE |
| | ANGLE: ±°  | 4 L 16 ±0.20 | ISSD. | JAMES HU |
| | SCALE 1:1 | 16 L 64 ±0.30 | | |
| | | PIN PITCH ±0.05 | | |